

Vacuum valve

Three way pilot type valve DVG

Pressure range: 0.15~0.8MPa

HANWHA



Utility

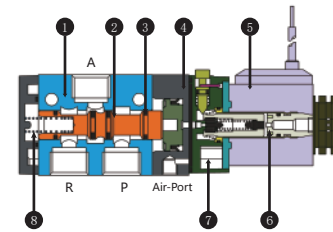
Product characteristics

- *Small size and light weight
- *Sliding column structure, good sealing performance, and sensitive response
- *The inner hole adopts special processing technology, with low friction resistance and low pneumatic pressure, making Long service life
- *No need for oil lubrication
- *Equipped with manual push, convenient for installation and debugging
- *There are multiple standard voltage levels available for selection



Product structure

- *1. Product name: Valve body: NAME: BODY Material: AL6061
- *2. Product name: Valve core NAME: SPOOL Material: AL6061
- *3. Product name: Valve core sealing ring NAME: SPOOL P/K Material: NBR
- *4. Product name: Guiding body NAME: PILOT Material: AL6061 NOTE: Black spray paint
- *5. Product name: Electromagnetic coil NAME: COIL
- *6. Product Name: Leading Combination NAME: CORE Material: JL45 NOTE: 430FR Soft Magnetic
- *7. Product name: Base NAME: SEAT Material: PBT
- *8. Product Name: Reset Spring NAME: SPRING Material: SUS304



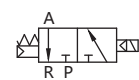
Product advantages

- *The opening and closing time is extremely short
- *Suitable for high traffic applications
- *Avoid vacuum on/off or ventilation function
- *Can be integrated with the base valve group to save installation space

Electromagnetic coil insulation

Insulation type	Temperature(°C)
A	Below 65
E	Below 80
B	Below 90
F(Standard)	Below 115
H	Below 140

Normally closed (Standard)



Normally open type



Vacuum valve



Three way pilot type valve DVG

Pressure range: 0.15~0.8MPa



Utility

DVG Ordering NO

DVG	3	0	1	DZ	E
1	2	3	4	5	6

1-Series	2- Connecting pipe diameter	3- Switching method
DVG	Valve	
	3	0
	5	1
	6	
	1/4	Normally closed type
	3/8	Normally open type
	1/2	

4- Voltage	5-Outgoing method	6-Explosion-proof
1	DZ	E
2	DIN socket with light type	Explosion-proof
3		
4		
DC12V		
DC24V		
AC110V		
AC220V		

DVG Specification

Models	Use fluid	Intake pressure [MPa]	Take over caliber	Action mode	Temperature	Reaction time	Maximum frequency
DVG-300-2-DZ-E	air	-0.1MPa(Work) 0.5MPa(Drive)	RC1/4	Pneumatic drive +Spring return	-5~50°C	20ms以下	5c/sec
DVG-301-2-DZ-E	air	-0.1MPa(Work) 0.5MPa(Drive)	RC1/4	Pneumatic drive +Spring return	-5~50°C	20ms以下	5c/sec
DVG-500-2-DZ-E	air	-0.1MPa(Work) 0.5MPa(Drive)	RC3/8	Pneumatic drive +Spring return	-5~50°C	20ms以下	3c/sec
DVG-501-2-DZ-E	air	-0.1MPa(Work) 0.5MPa(Drive)	RC3/8	Pneumatic drive +Spring return	-5~50°C	20ms以下	3c/sec
DVG-600-2-DZ-E	air	-0.1MPa(Work) 0.5MPa(Drive)	RC1/2	Pneumatic drive +Spring return	-5~50°C	30ms以下	2c/sec
DVG-601-2-DZ-E	air	-0.1MPa(Work) 0.5MPa(Drive)	RC1/2)	Pneumatic drive +Spring return	-5~50°C	30ms以下	2c/sec

Vacuum valve



Three way pilot type valve DVG

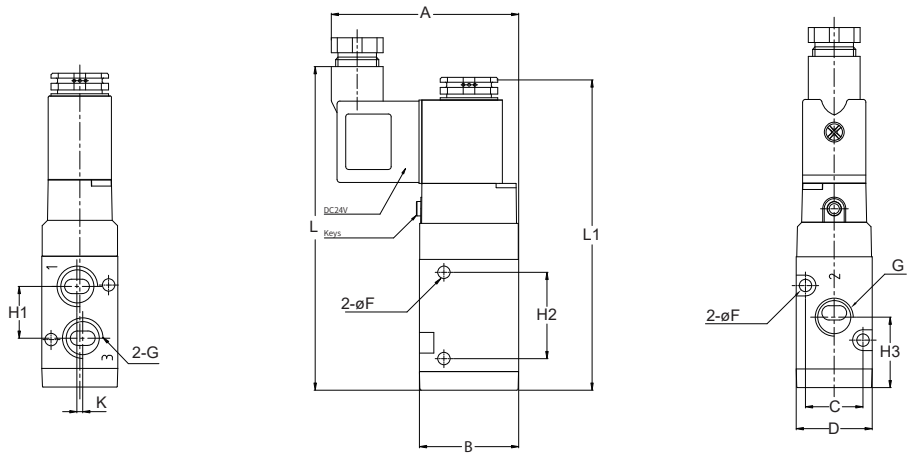
Pressure range: 0.15~0.8MPa



Utility

Models	Manual operation	Heat resistance level	Protection level	Rated voltage	Permissible voltage	Effective interception area [CV]	Power consumption [W]
DVG-300-2-DZ-E	Keys	F	(IP65) IP65	DC24V,DC12V AC220V,AC110V	-10%~+10%	19mm ² (1.0)	DC 3W(With lights)
DVG-301-2-DZ-E	Keys	F	(IP65) IP65	DC24V,DC12V AC220V,AC110V	-10%~+10%	19mm ² (1.0)	AC 3.7VA(60Hz)
DVG-500-2-DZ-E	Keys	F	(IP65) IP65	DC24V,DC12V AC220V,AC110V	-10%~+10%	19mm ² (1.0)	DC 3W(With lights)
DVG-501-2-DZ-E	Keys	F	(IP65) IP65	DC24V,DC12V AC220V,AC110V	-10%~+10%	19mm ² (1.0)	AC 3.7VA(60Hz)
DVG-600-2-DZ-E	Keys	F	(IP65) IP65	DC24V,DC12V AC220V,AC110V	-10%~+10%	65mm ² (3.5)	DC 3W(With lights)
DVG-601-2-DZ-E	Keys	F	(IP65) IP65	DC24V,DC12V AC220V,AC110V	-10%~+10%	65mm ² (3.5)	AC 3.7VA(60Hz)

DVG Specification



DVG-300/301

Vacuum valve



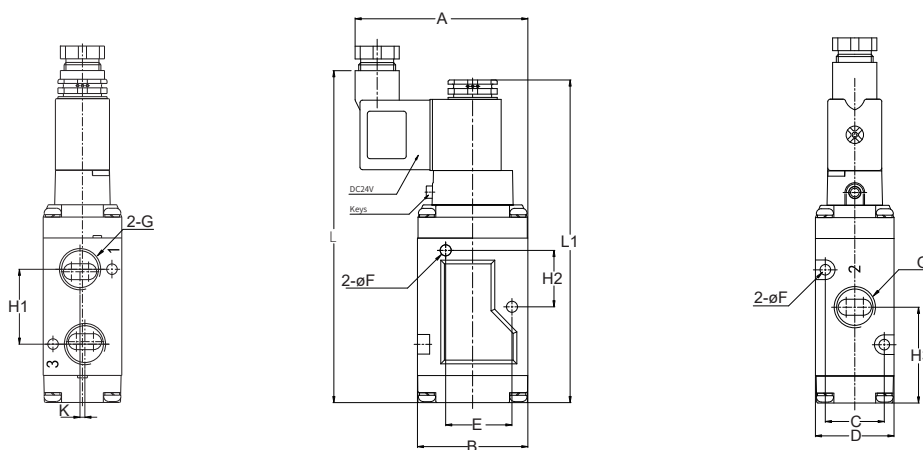
Three way pilot type valve DVG

Pressure range: 0.15~0.8MPa

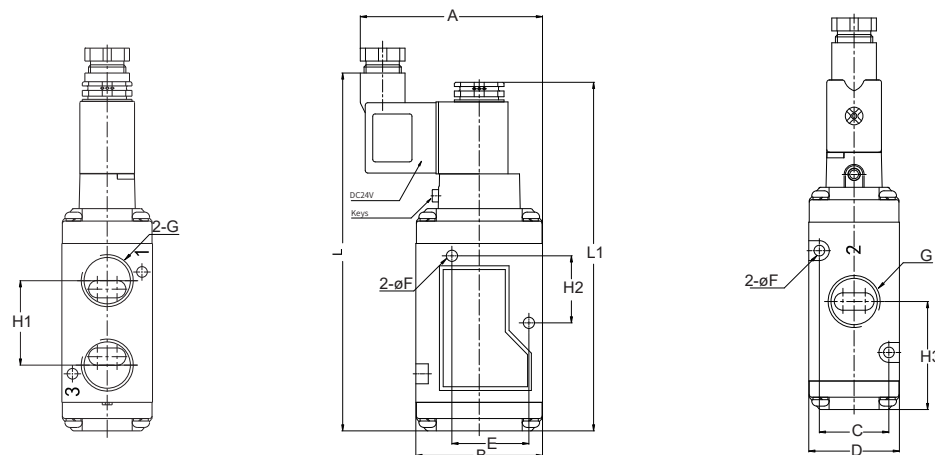


Utility

DVG Specification



DVG-500/501



DVG-600/601

model

Size[mm]	A	B	C	D	E	ΦF	G	H1	H2	H3	L1	L
DVG-300-2-DZ-E	65	34.5	20	26.4	/	4.2	G1/4	18	30	24.5	109	113
DVG-301-2-DZ-E	65	34.5	20	26.4	/	4.2	G1/4	18	30	24.5	109	113
DVG-500-2-DZ-E	70.5	45	24	32	27	4.2	G3/8	30.5	23	39	132	135
DVG-501-2-DZ-E	70.5	45	24	32	27	4.2	G3/8	30.5	23	39	132	135
DVG-600-2-DZ-E	73.5	51	28	36.5	31	4.2	G1/2	34	27	43.5	140	144
DVG-601-2-DZ-E	73.5	51	28	36.5	31	4.2	G1/2	34	27	43.5	140	144