

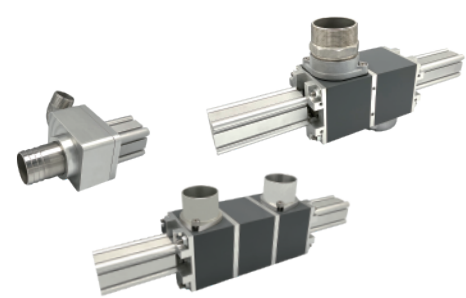
Vacuum valve HPV



Diameter of hose connection valve: 75mm

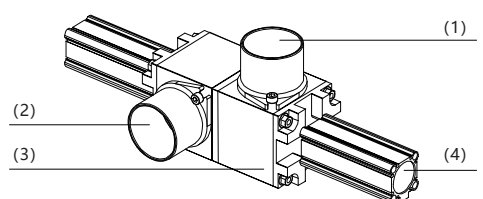
Product characteristics

- *Built in bearings for 360 ° high-speed rotation around the central axis
- *Basic material: copper
- *Maximum operating pressure: 1.0Mpa, can be used for vacuum systems (vacuum degree below 100kPa)
- *Suitable hose materials: nylon and PU
- *Standard type with sealant, M thread with sealing gasket



Product structure

- *Fan interface (1)
- *Fan interface (2)
- *Aluminum alloy ventilation body (3)
- *Cylinder



Product advantages

- *Short opening and closing time
- *Control the opening and release of vacuum



HPV case

Vacuum valve

HPV

HANWHA


Utility

Diameter of hose connection valve: 75mm

HPV Ordering NO

HPV	25	1	B	S
1	2	3	4	5

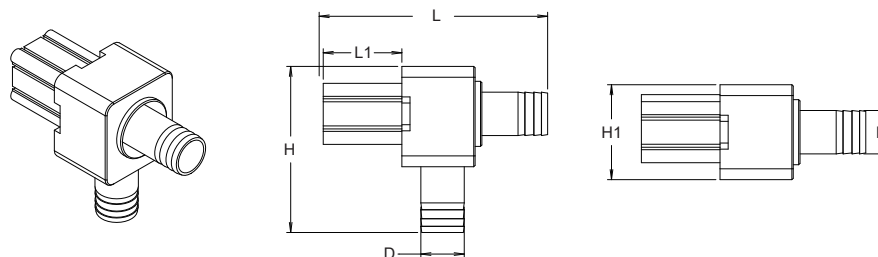
1-Series		2-Valve diameter		3-Quantity	
HPV	Active control valve	25	25mm	1	
		32	32mm	2	Two cylinders
		60	60mm		
		75	75mm		

4- Version code		5-Electromagnetic valve	
B	B model	S	SMC
		G	Made in China

HPV Technical Data

Models	Flexible hose diameter [mm]	Action mode	Action fluid	Vacuum degree [KPa]	Temperature [°C]	Interface	Optional items
HPV32-1B	32	Horizontal bar double action	vacuum	-100	-10~80	RC1/8	Magnetic switch
HPV60-1B	60	Horizontal bar double action	vacuum	-100	-10~80	RC1/8	Magnetic switch
HPV60-2B	60	Horizontal bar double action	vacuum	-100	-10~80	RC1/8	Magnetic switch
HPV75-1B	75	Horizontal bar double action	vacuum	-100	-10~80	RC1/8	Magnetic switch
HPV75-2B	75	Horizontal bar double action	vacuum	-100	-10~80	RC1/8	Magnetic switch

HPV Specification



HPV32-1B

Size[mm]

Models	L	L1	H	H1	D
HPV32-1B	168.5	58	122.5	70	φ32

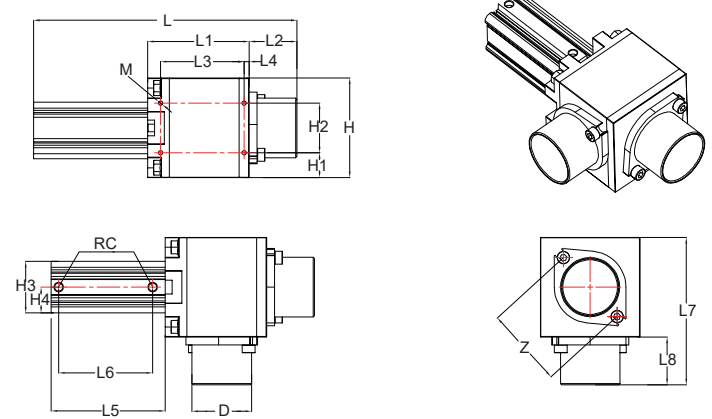
Vacuum valve HPV



Utility

Diameter of hose connection valve:75mm

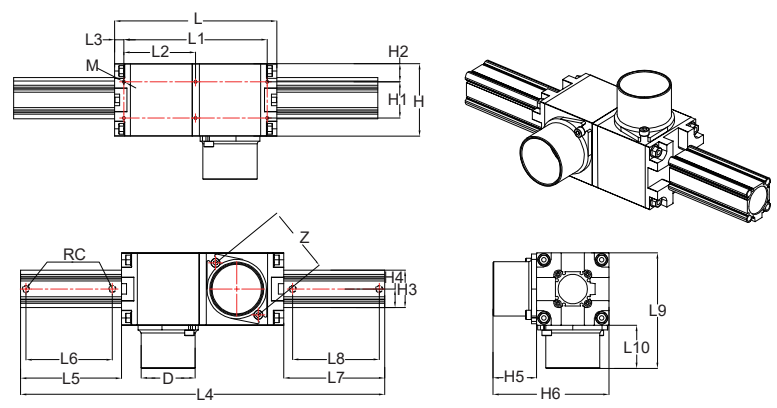
HPV Specification



HPV60/75-1B

Size[mm]

Models	L	L1	L2	L3	L4	L5	L6	L7	L8	H	H1	H2	H3	H4	M	RC	D	Z
HPV60-1B	265	102	48	84	5	115	95	148	48	100	25	50	52	26	4-M6	2-RC1/8"	2-φ60	80
HPV75-1B	317	112	65	99	5	140	120	160	60	100	25	50	52	26	4-M6	2-RC1/8"	2-φ75	93



HPV60/75-2B

Size[mm]

Models	L	L1	L2	L3	L4	L5	L6	L7	L8	L9	L10	H	H1	H2	H3	H4	H5	H6	M	RC	D	Z
HPV60-2B	194	168	84	13	423	115	95	115	95	148	48	100	50	25	52	26	48	160	6-M6	4-RC1/8"	2-φ60	80
HPV75-2B	224	198	99	13	503	140	120	140	120	160	60	100	50	25	52	26	60	60	6-M6	4-RC1/8"	2-φ75	93