

# Vacuum Generator

## ECG

Maximum vacuum flow: 73L/Min

# HANWHA



Utility

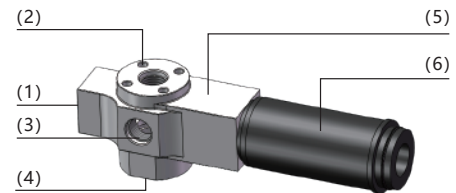
### Product characteristics

- \* Lightweight vacuum generator with plastic housing
- \* ECO-H4005 series generators are suitable for very harsh environments and meet high dust and humidity requirements
- \* Suitable for applications requiring less vacuum, such as packaging/bag handling
- \* Integrated silencer reduces noise levels
- \* The ECO-H4005 series generator is compatible with any HANWHA G3/8" suction cup
- \* Similar generators, the same parameters, the shortest size



### Product structure

- \* Body: made of aluminum alloy, small size, light weight
- \* (1) Connector: For compressed air inlet connector G1/8
- \* (2) Mounting screw: 4XM4
- \* (3) Connection port: vacuum detection port G1/8
- \* (4) Connector: Vacuum connector G3/8
- \* (5) Silencer: made of anodized aluminum
- \* (6) Silencer cylinder



### Product advantages

- \* Efficient and energy-saving vacuum generator, can quickly reach the maximum vacuum degree
- \* The corresponding generator can be selected according to different working conditions



\*ECO-H4005 case

# Vacuum Generator

## ECG

**HANWHA**


Utility

Maximum vacuum flow: 73L/Min

### ECO-H4005 Ordering NO

ECO	-	H4005	-	H
1		2		3

1-Series	2-Model	3-Specifications
ECO	Vacuum Generator	H4005
		H
		L
		High vacuum (green diaphragm)
		Low vacuum (without diaphragm)

### ECO-H4005 Technical Data

Models	Use fluid	Temperature [°C]	Intake pressure [Mpa]	Air consumption [L/Min]	Vacuum pressure reached [-KPa]	Maximum vacuum flow [L/Min]
ECO-H4005-H	air	-8~80	0.5	54	90	73
ECO-H4005-L	air	-8~80	0.5	54	53	73

#### Vacuum flow rate (L/min) for different vacuum degrees (- kpa)

Models	0	10	20	30	40	50	60	70	80
ECO-H4005-H	207.6	181.2	144.6	102	61.2	36.6	28.2	16.8	6
ECO-H4005-L	207.6	181.2	144.6	102	61.2	14.4	0	0	0

#### Extraction time (S/L) for different vacuum degrees (- kpa)

Models	10	20	30	40	50	60	70	80
ECO-H4005-H	0.038	0.074	0.123	0.204	0.356	0.577	0.879	1.718
ECO-H4005-L	0.031	0.068	0.116	0.19	0.349	0	0	0

# Vacuum Generator

## ECG

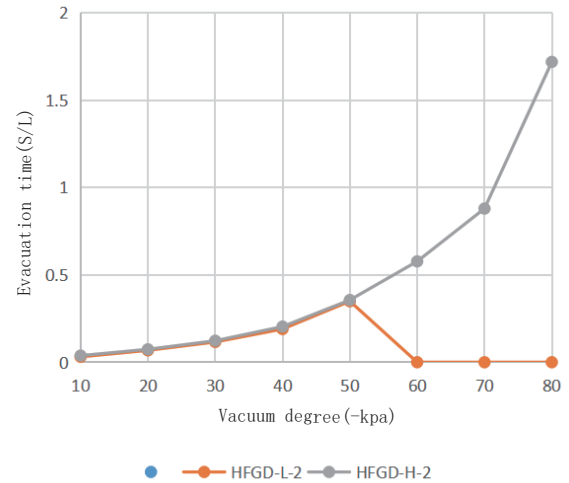
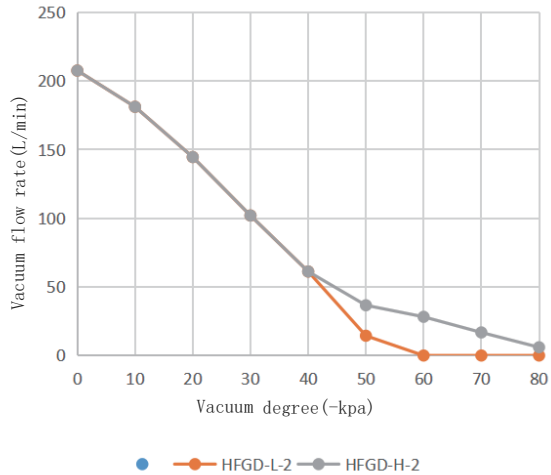
Maximum vacuum flow: 73L/Min

# HANWHA

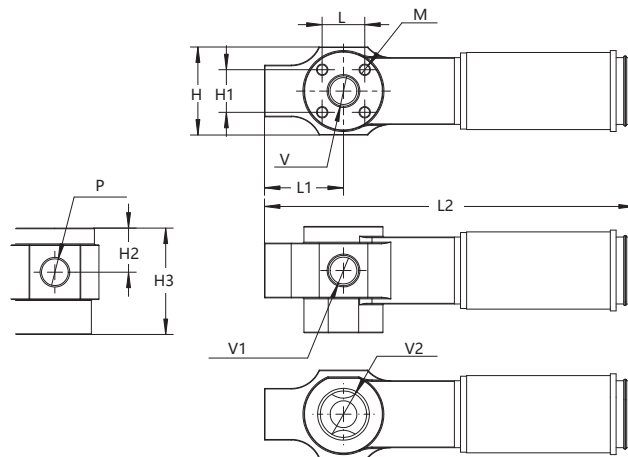


Utility

### Performance parameter



### ECO-H4005 Design Data



ECO-H4005

model

Size[mm]	L	L1	L2	H	H1	H2	H3	M	V	V1	V2	P
ECO-H4005	14	26	122	29	14	14.50	35	4XM4	G1/8	2xG1/8	G3/8	G1/8